



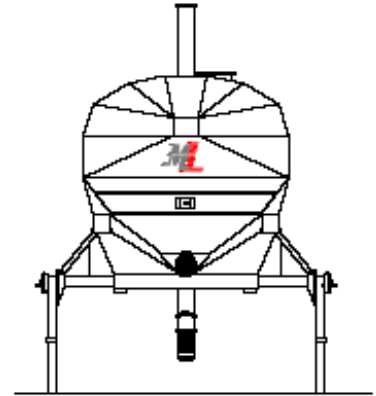
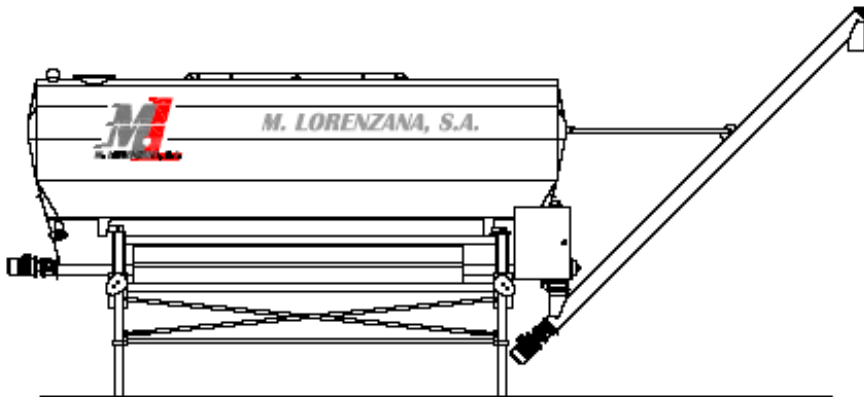
Very Handy and versatile horizontal portable silos for storing and weighing cement which are easily placed on an even surface on the ground, adapting their four telescopic and extendible stabilizers for a perfect leveling, with the aid of concrete or a piece of wood.



The 99-recipes-memory allows us to schedule the suitable amount of cement for each mixture, depending on the type of concrete resistance that we need, or allows us the schedule for different mixers' capacities.

The electronic weighing system with digital panel and controlled by automatic programs, allows us to discharge the pre-selected amount of cement, as well as showing the total amount of cement remaining in the silo or the amount that we introduced in it.

EUROSILO



Provided with cutting-edge technology, our horizontal silos are the answer to all demands in a market in which the easy-install solution and their agility at work are the main features.



Optional:

- Dust collector filter.
- Remote control.



EASY TO TRANSPORT

The **EUROSILO** is easily loaded, transported and unloaded from truck, trailer, semi-trailer truck or flat-rack container with no crane.

SPECIFICATIONS	15/DE	28/DE	34/DE	45/DE
CAPACITY	15 m ³	28 m ³	34 m ³	45 m ³
STORAGE CAPACITY	~20 Ton	~36 Ton	~44 Ton	~60 Ton
CONVEYOR BELT DISCHARGE HEIGHT	4.2 m	4.2 m	4.2 m	4.2 m
CONVEYOR BELTS CAPACITIES	20 m ³ /h	20 m ³ /h	20 m ³ /h	20 m ³ /h
ABSORBED POWER	8.7 kW	10.5 kW	10.5 kW	13 kW
THREE-PHASE POWER	380V - 50 Hz	380V - 50 Hz	380V - 50 Hz	380V - 50 Hz
TRANSPORT HEIGHT	2.7 m	2.7 m	3.0 m	3.0 m
TRANSPORT WIDTH	2.45 m	2.45 m	2.45 m	2.45 m
TRANSPORT LENGHT	4.25 m	7.45 m	7.45 m	10.3 m
WEIGHT	2,900 kg	4,100 kg	4,300 kg	6,000 kg

Together with our portable concrete plant and our self-loading concrete mixers they make up the perfect pack for producing concrete in the place and moment you need



Due to the constant process of improvement at factory, all data are subject to modification without prior notice, being merely illustrative all data in this catalogue.

MADRID: Ctra de Valencia, Km 19,200. 28524 RIVAS VACIAMADRID (MADRID). FAX: +34916701005. e-mail:madrid@mlorenzana.com

LEÓN: Pol. Ind. Villacedré. 24009 VILLACEDRÉ (LEÓN). FAX: +34987849036. e-mail:leon@mlorenzana.com



www.mlorenzana.com +34 902 151 236

EUROSILO



REF CAT: 00.SI.EU.13.EN.02



EUROSILO

