



Strong, versatile and extremely robust robotic arm, with two hydraulic sections, protected hydraulic cylinders inside the tubes. 270 degrees rotatory head by crown gear and hydraulic orbital motor. Rocker axis activated by a hydraulic cylinder protected inside. Quick coupling for changing hydraulic hammer and rock-breaker. Crown gear onto turret, activated by hydraulic orbital motor and 360 degrees turn.



The hydraulic distributor block SAUER-DANFOSS brand, can be also manually manipulated from the block itself.

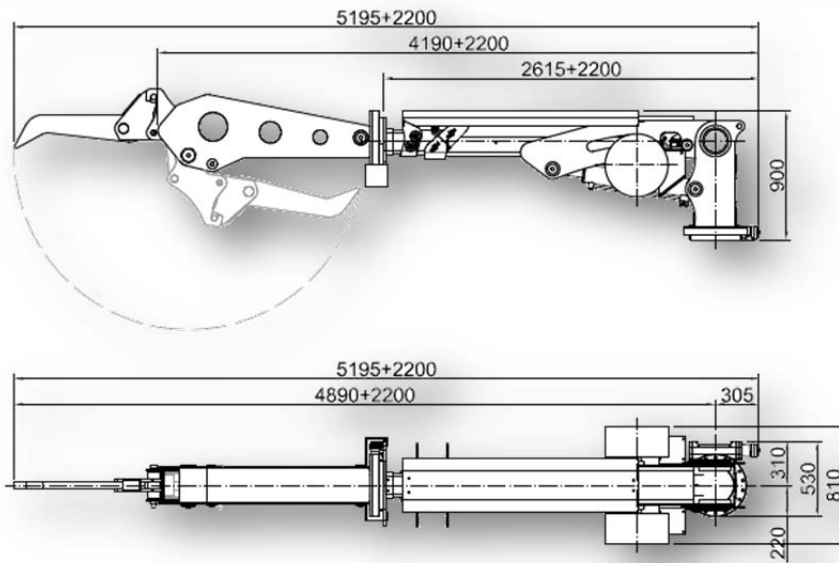


Robotic arm **bs9** installed on our **scaler** unit.

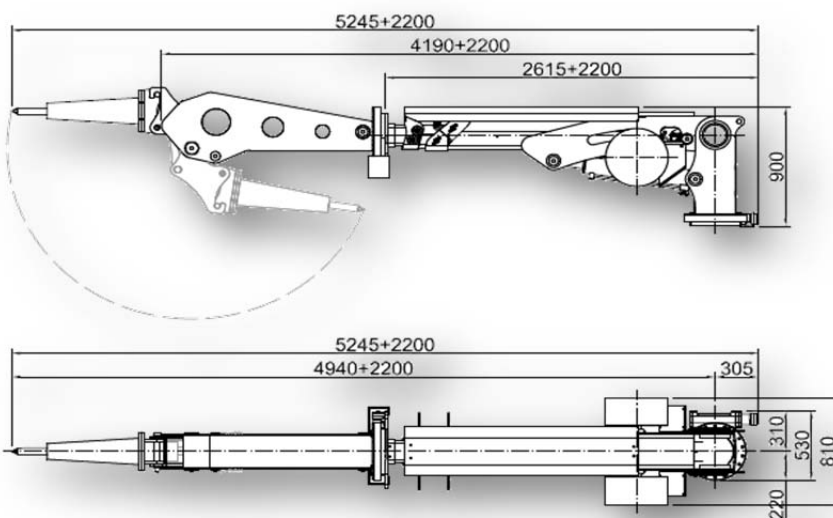


The **bs9** arm is operated from hydraulic block and from remote control, equally by radio or cable.





Its reduced size makes it the suitable tool for rock-clearing in small dimension tunnels and mine sites: Small transport size and large reach and versatility of movement when at work.



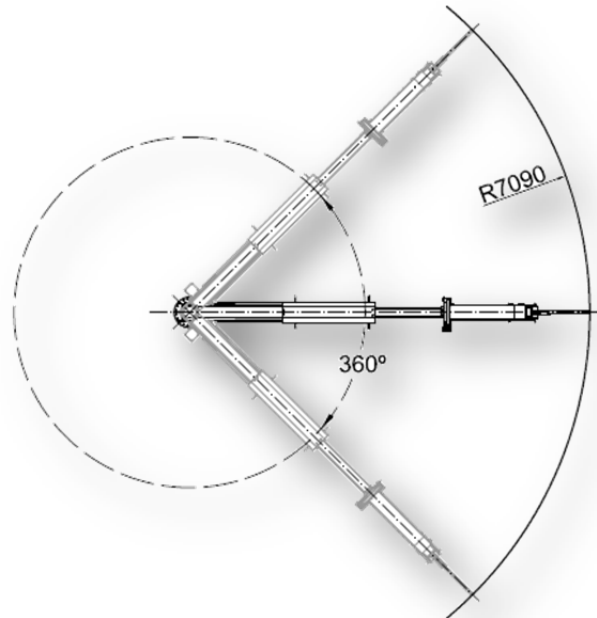
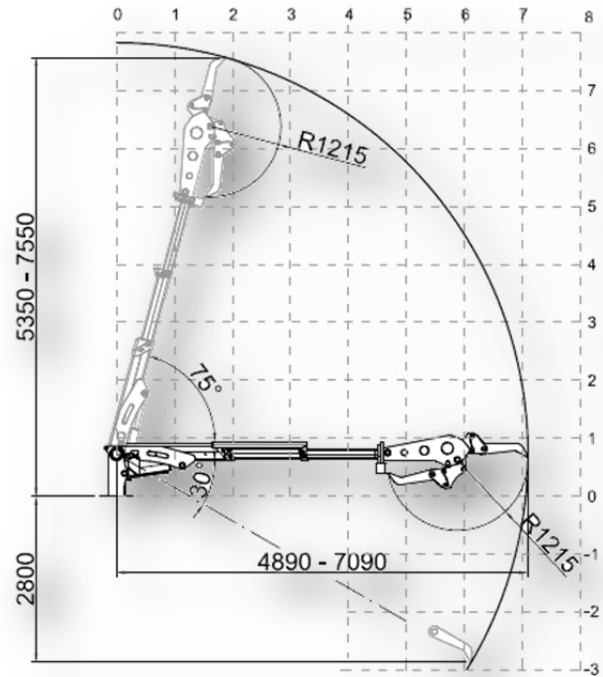
The Rock-breaker, made in high-strength Steel, provides large durability and efficiency, and as a quick-coupling device, the hydraulic hammer, with its special inner design, provides a high-performance and high-efficiency to the unit.



Robotic arm is provided with:

- Dual remote control, cable + radio
- Rock-breaker (Optional)
- Hydraulic hammer (Optional)
- Coiler + cable (Optional)
- Crown gear
- Hydraulic block prepared for manual use
- Working lights
- POWER PACK Electric motor of 5.5 Kw/1,450 rpm + gears pump of 35cc) (Optional)

DIMENSIONS	
MINIMUM LENGHT	4,190 mm
WIDTH	530 mm / 810 mm
HEIGHT	7,090 mm
	PLUS TURRET
WEIGHT	500 Kg
VERTICAL REACH FROM CROWN GEAR	7.5 mt
HORIZONTAL REACH	7.1 mt
ARM ROTATION (LATERAL)	360°
ARM TILT (UP/DOWN)	75°
HEAD ROTATION	360°
HEAD TILT	240°
MAXIMUM REACH FROM CROWN GEAR	7.5 mt
REMOTE CONTROL	DUAL
	CABLE + RADIO



Due to the constant process of improvement at factory, all data are subject to modification without prior notice, being merely illustrative all data in this catalogue.

MADRID: Ctra de Valencia, Km 19,200. 28524 RIVAS VACIAMADRID (MADRID). FAX: +34916701005. e-mail:madrid@mlorenzana.com

LEÓN: Pol. Ind. Villacedré. 24009 VILLACEDRÉ (LEÓN). FAX: +34987849036. e-mail:leon@mlorenzana.com

www.mlorenzana.com +34 902 151 236